

**RCA**  
**STUDIO II**  
**TEST CARTRIDGE**  
TESTER 1

DRAWN BY: ED KEEFE  
3/8/2018

# PARTS LIST

RCA STUDIO II TEST CARTRIDGE (TESTER 1) REV 1

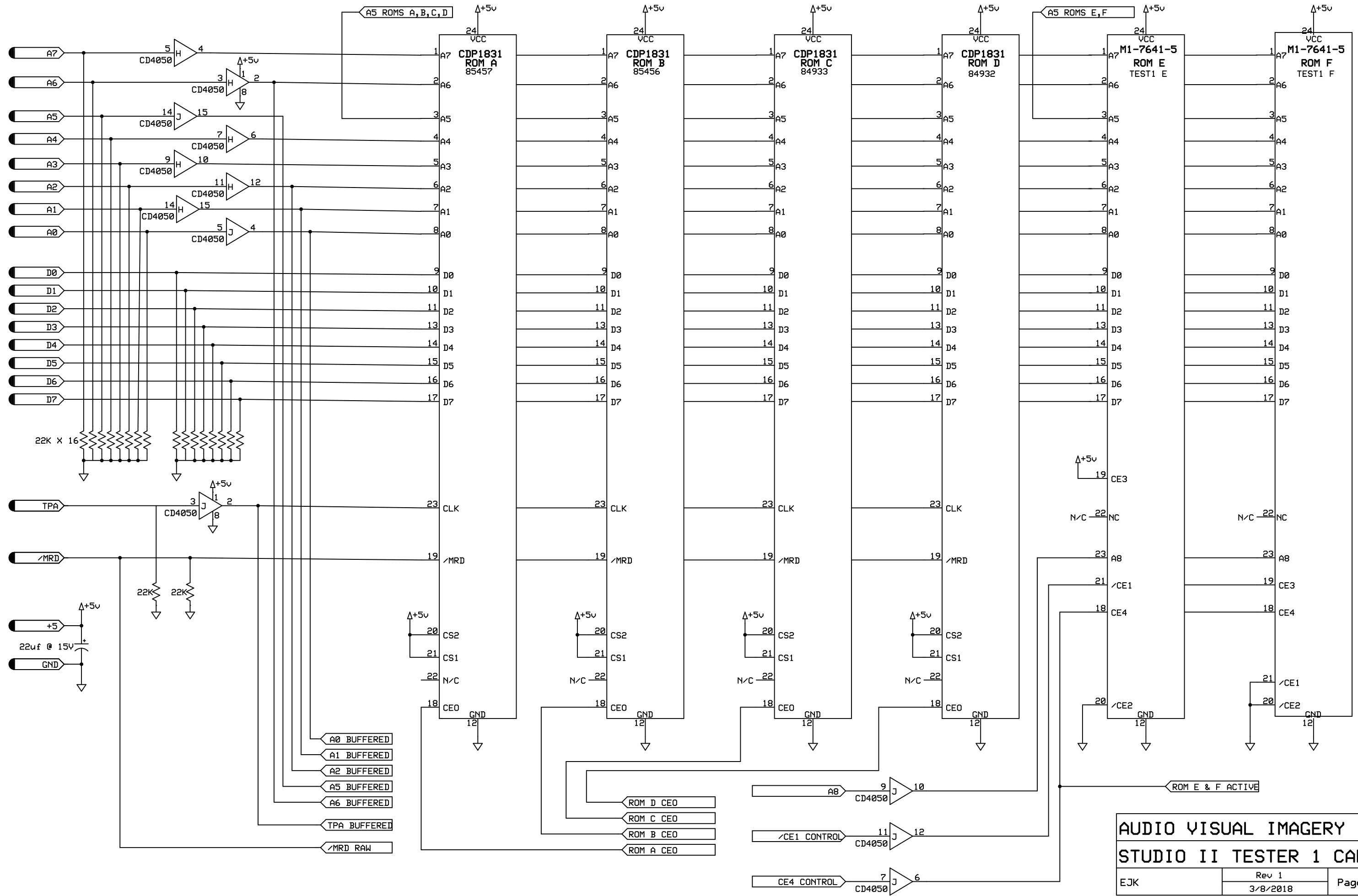
RESISTORS	CAPACITORS	INTEGRATED CIRCUITS	DIODES
19 22Ks	1 .001uf	A CDP1831 (RCA) 85457	1 1N4148
1 470K	1 .02uf	B CDP1831 (RCA) 85456	
	1 22uf @ 15V	C CDP1831 (RCA) 84933	
		D CDP1831 (RCA) 84932	
		E M1-7641-5 (HARRIS) TESTER1 E	
		F M1-7641-5 (HARRIS) TESTER1 F	
		H CD4050	
		J CD4050	
		K CD4042	
		L CD4030	
		M CD011	
		N CD4013	
		P CD4066	
		R CD4066	

## ROM CONTENTS

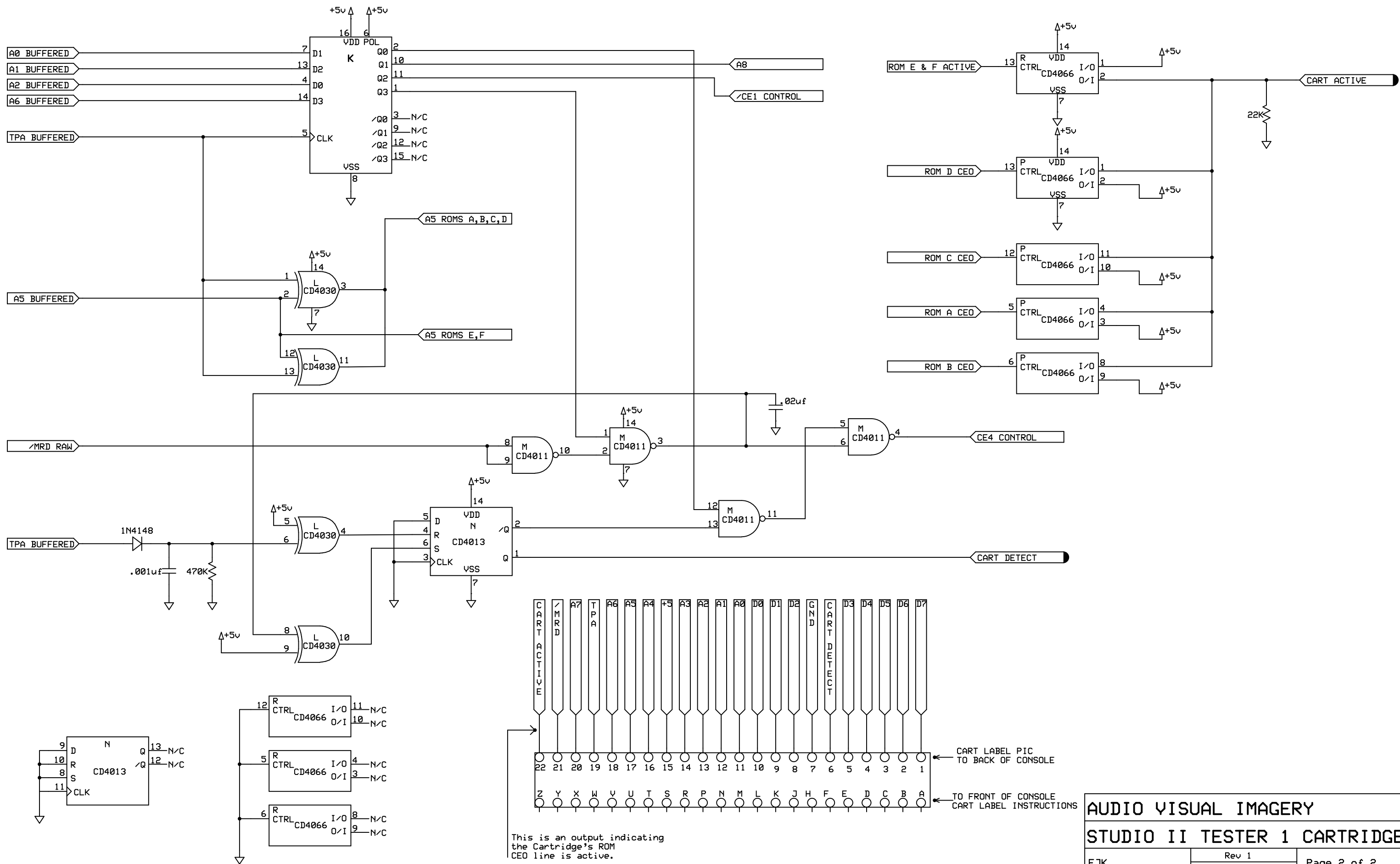
A 85457 - STUDIO II INTERNAL SYSTEM ROM 1  
B 85456 - STUDIO II INTERNAL SYSTEM ROM 2  
C 84933 - STUDIO II INTERNAL GAMES ROM 1  
D 84932 - STUDIO II INTERNAL GAMES ROM 2  
E TESTER1 E ROM1  
F TESTER1 F ROM2

## LEGEND

XYZ → SIGNAL FROM STUDIO II CARTRIDGE SLOT  
XYZ → INTERCONNECT BETWEEN PAGES  
N/C = NO CONNECTION



**AUDIO VISUAL IMAGERY**  
**STUDIO II TESTER 1 CARTRIDGE**  
 EJK Rev 1  
3/8/2018 Page 1 of 2



This is an output indicating the Cartridge's ROM CEO line is active.

<b>AUDIO VISUAL IMAGERY</b>		
<b>STUDIO II TESTER 1 CARTRIDGE</b>		
EJK	Rev 1 3/8/2018	Page 2 of 2



